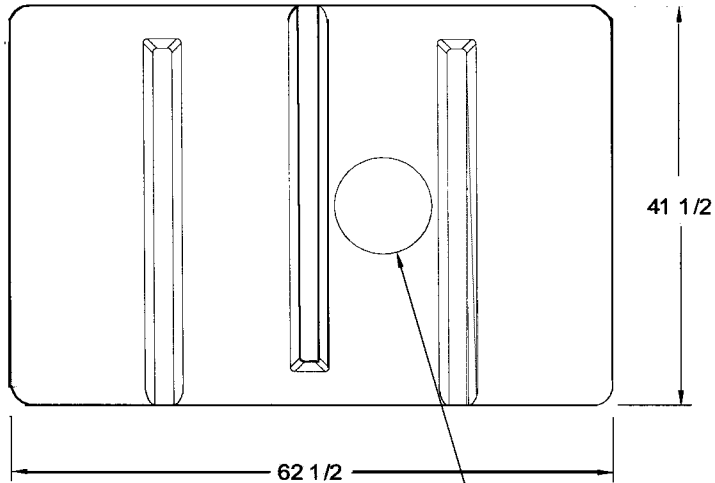
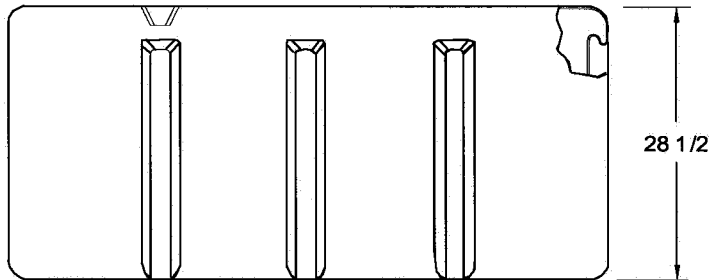


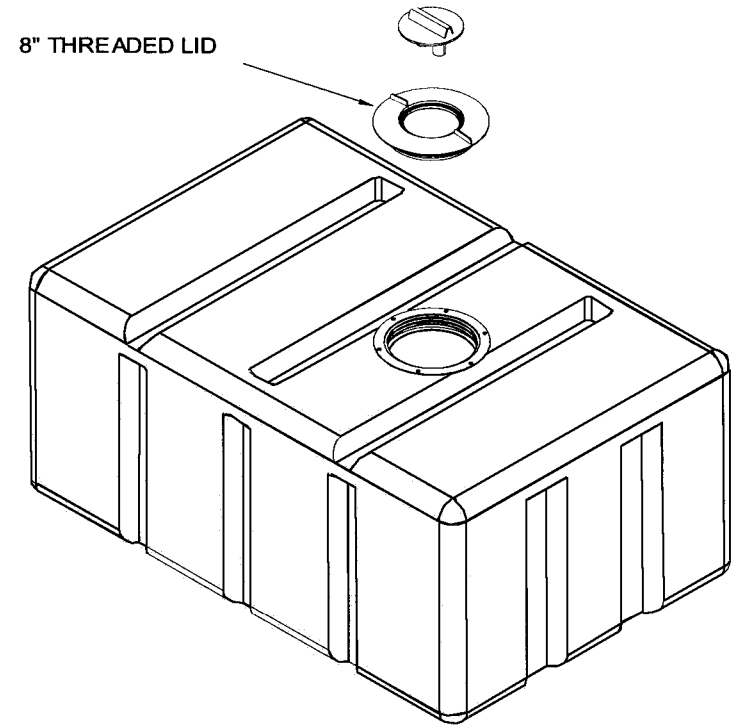
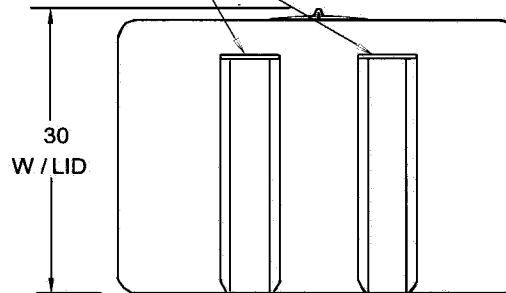
THIS DRAWING MAY NOT BE USED FOR ANY PURPOSE OTHER THAN BY THE OWNER. THE DRAWING & DESIGN ARE PROPERTY OF ROTONICS MANUFACTURING, INC. ALL DIMENSIONS SHOWN ARE OUTSIDE PART DIMENSIONS IN INCHES, AND MAY VARY DUE TO MATERIAL SHRINKAGE. SPECIFICATIONS ARE SUBJECT TO CHANGE WITHOUT NOTICE. GALLONS AND WEIGHTS ARE APPROXIMATE ONLY.



Ø 8 OPENING



HANDLES BOTH ENDS



www.rotonics.com

RM-C
736 Birginal Drive
Bensenville, IL 60106
Phone: 630-773-9510
Fax: 630-773-4274

RMI-I
716 No. 11th Avenue
Caldwell, ID 83605
Phone: 208-454-9271
Fax: 208-454-3089

RMI-D
6770 Brighton Blvd.
Commerce City, CO 80022
Phone: 303-227-9300
Fax: 303-227-9308

RMI-F
230 Bartow Mun. Airport
Bartow, FL 33830
Phone: 863-534-1766
Fax: 863-533-0407

RMI-G
17038 S. Figueroa St.
Gardena, CA 90248
Phone: 310-327-5401
Fax: 310-323-9567

DO NOT SCALE		ROTONICS MFG. INC.		17038 S. FIGUEROA ST. GARDENA, CA 90248 Phone: (310) 327-5401 Fax: (310) 323-9567	
APPROVALS	DATE	#6457			
DRAWN BY: DPHAM	RD. 9/9/03	300 gal. LOAF TANK			
DESIGN BY:		SIZE	A	DWG. No.	S-1127
CHECKED BY:		SCALE: 1 = 20		REV.	SHEET 1 of 1
APPROVED BY:					