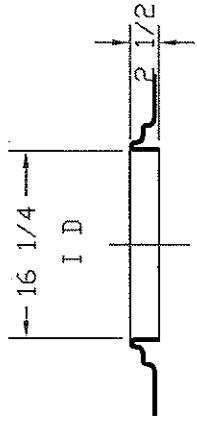
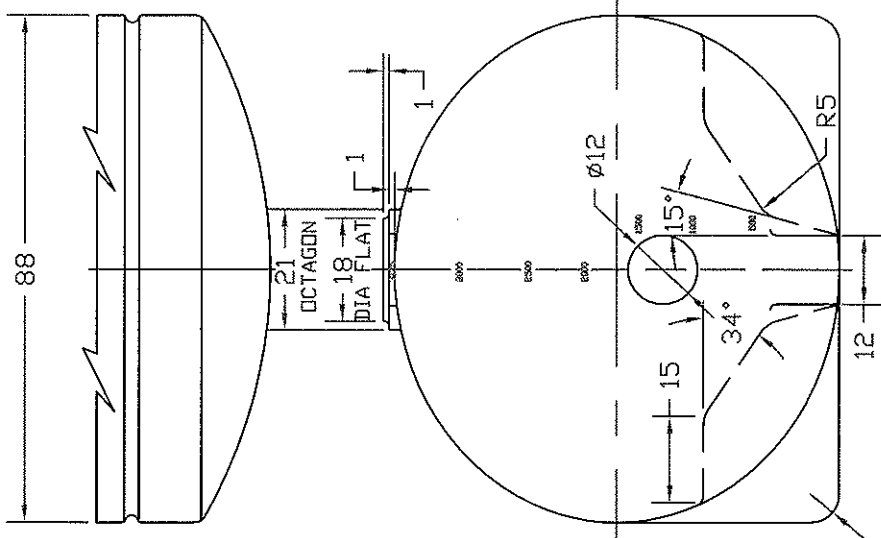
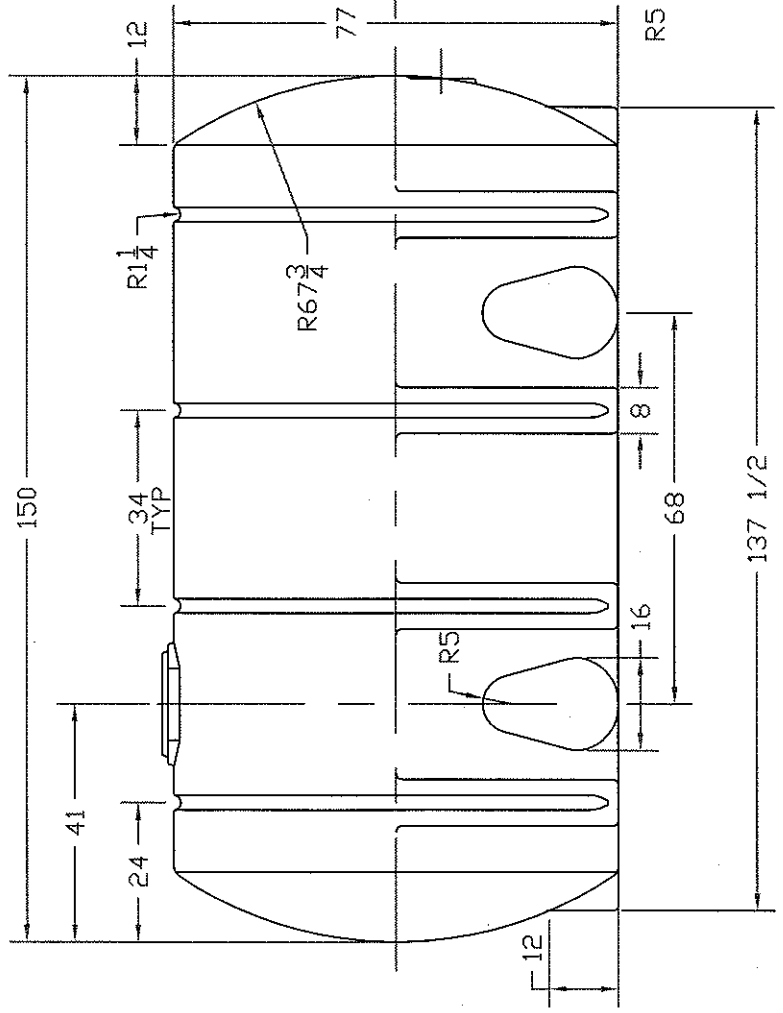


REVISIONS			
ZONE	REV	DESCRIPTION	DATE
	A	SPARGER FLAT REVSD	04JUN04



FILL AREA
1/12 SCALE



NOTE:

- GALLON MARKERS ON OPPOSITE END ONLY
- 65 13/16
- 53 29/32
- 44 3/32
- 34 13/16
- 25 13/32
- 15 3/32
- 0

NORWESCO
ST. BONIFACIUS, MN
3135 GALLON
ELLIPITICAL LEG TANK

JTP 29JUN95
SCALE 1/24
SHEET

SIZE	FSCM NO.	DWG. NO.	REV
B			A