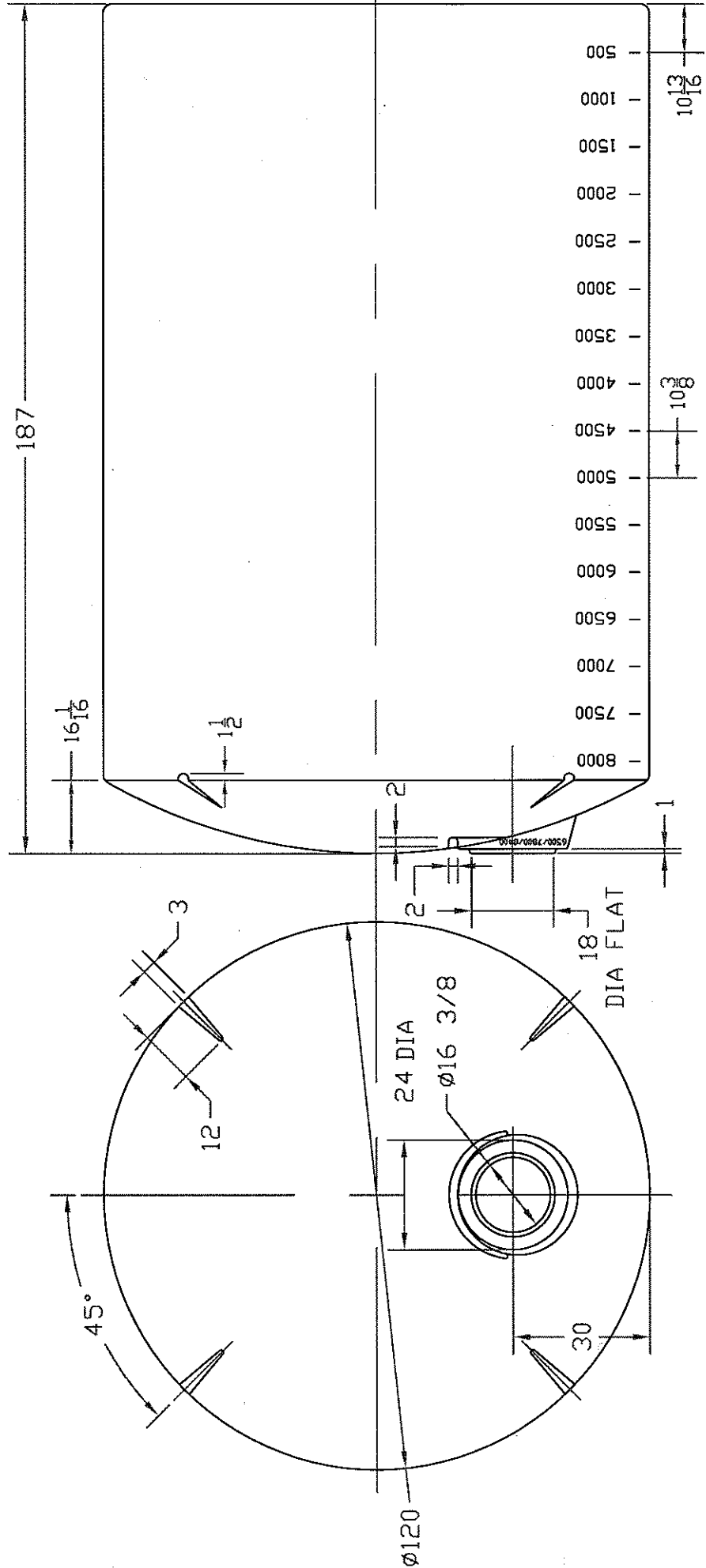


REVISIONS			
ZONE	REV	DESCRIPTION	DATE



NORWESCO
 ST. BONIFACIUS, MN
 8400 GALLON VERTICAL
 TANK

JTP 05AUG04	SIZE FSCM NO. B	DWG NO.	REV
SCALE 1/24			SHEET