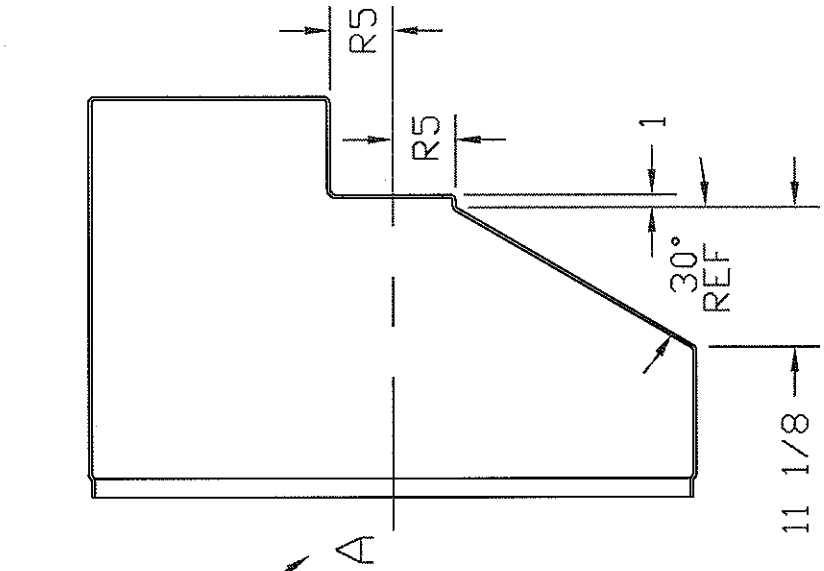
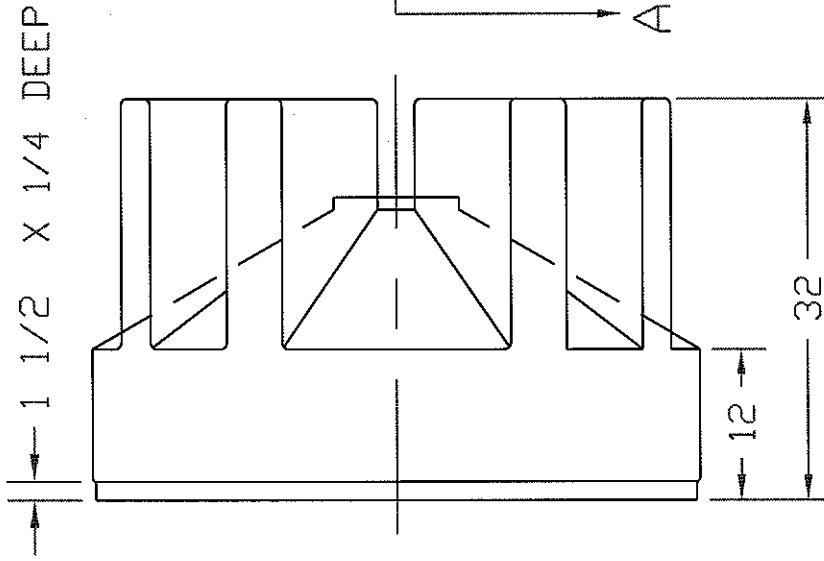


REVISIONS

ZONE	REV	DESCRIPTION	DATE	APPROVED
	A	REDRAWN	21AUG97	



SECTION A-A

**NORWESCO**  
ST. BONIFACIUS, MN

300/500 GALLON  
CONE BOTTOM STAND

JTP	21AUG97	SIZE A	FSCM NO.	DWG NO.	REV A
SCALE 1/16				SHEET	