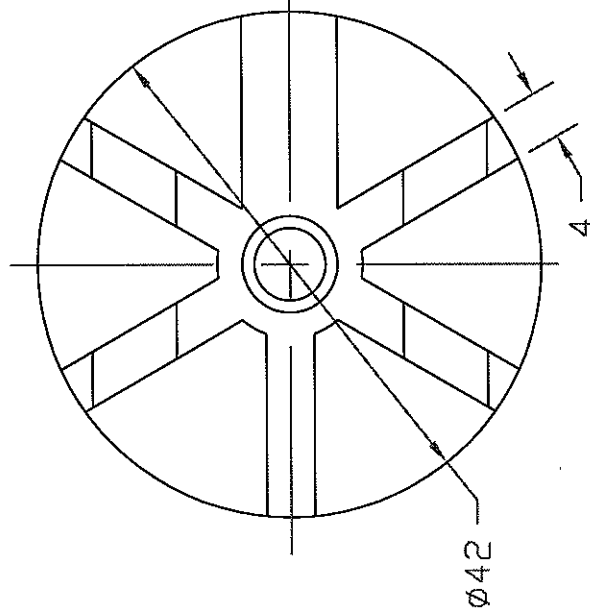
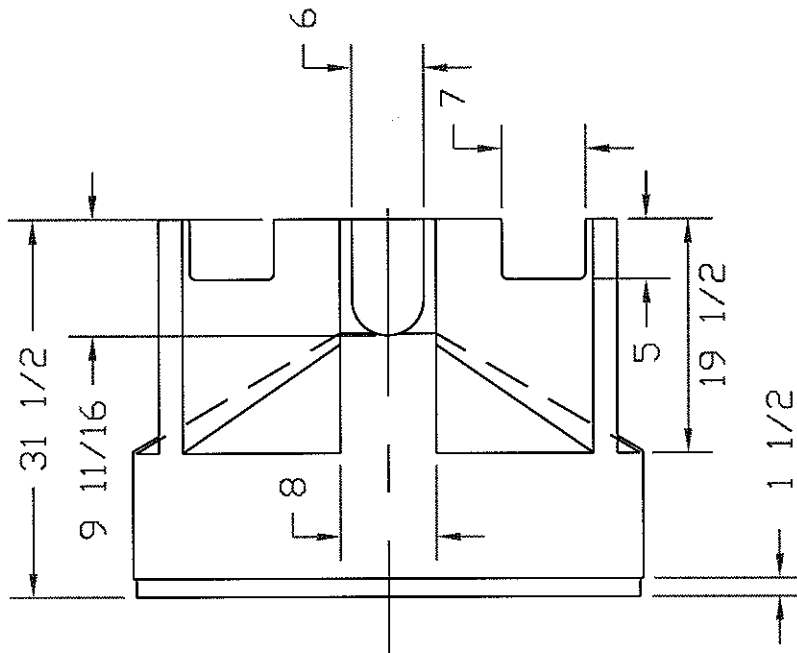


REVISIONS			
ZONE	REV	DESCRIPTION	DATE



NORWESCO
ST. BONIFACIUS, MN

175/310 GALLON CONE
BOTTOM BASE

JTP	30JUN99	SIZE	FSCM NO.	DWG NO.	REV
		A			
SCALE 1/16				SHEET	