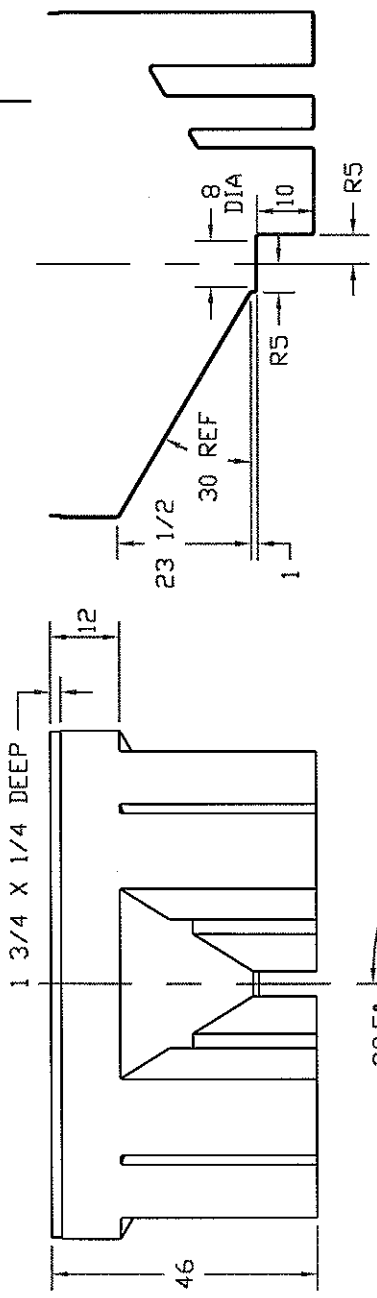
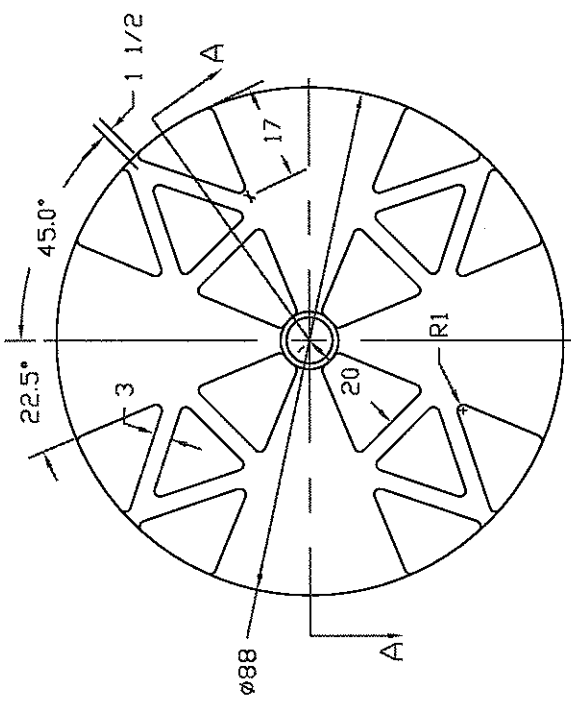


REVISIONS			
ZONE	REV	DESCRIPTION	DATE
	B	REDRAWN	20OCT97
			APPROVED



SECTION A-A



NORWESCO		ST. BONIFACIUS, MN	
1600 GALLON CONE		BOTTOM STAND	
JTP	20OCT97	SIZE B	FSCM NO.
		REV B	DWG NO.
		SCALE 1/24	SHEET