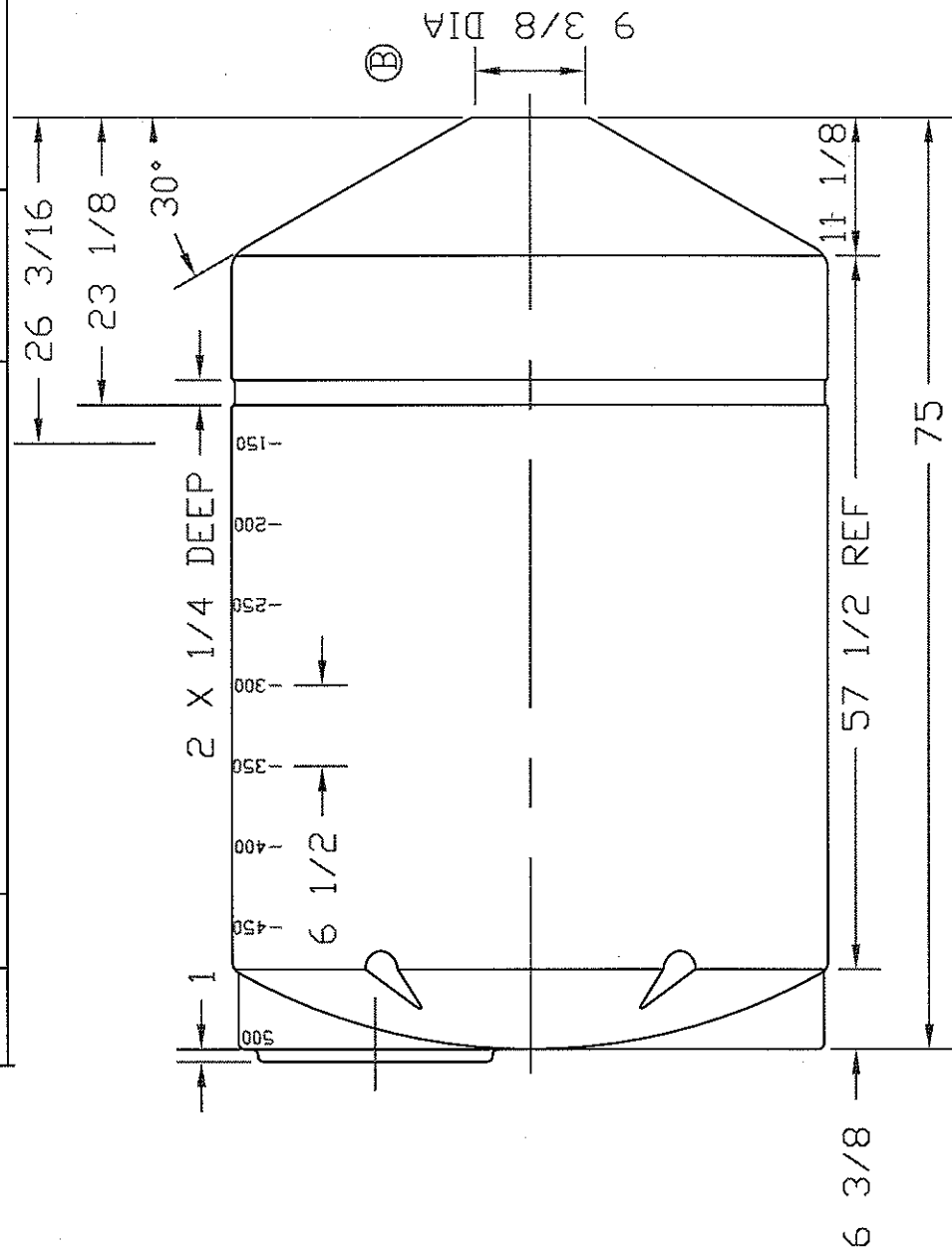
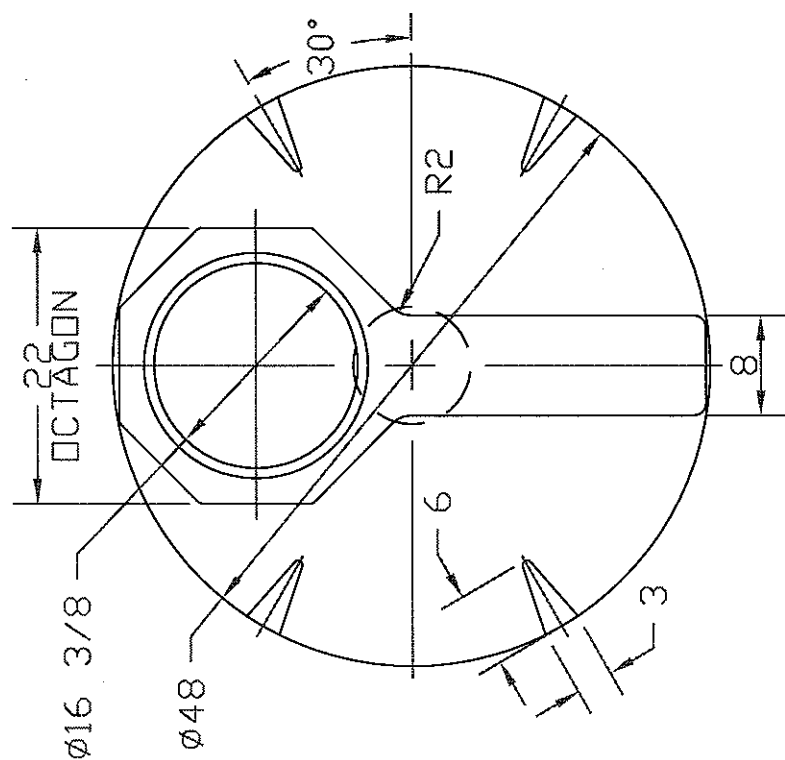


REVISIONS				
ZONE	REV	DESCRIPTION	DATE	APPROVED
	A	REDRAWN	21AUG97	
	B	DIMENSION ADDED	21MAR00	



NORWESCO
ST. BONIFACIUS, MN

500 GALLON CONE BOTTOM
TANK

JTP	21AUG97	SIZE	FSCM NO.	DWG NO.	REV
		A			A
				SCALE	SHEET
				1/16	