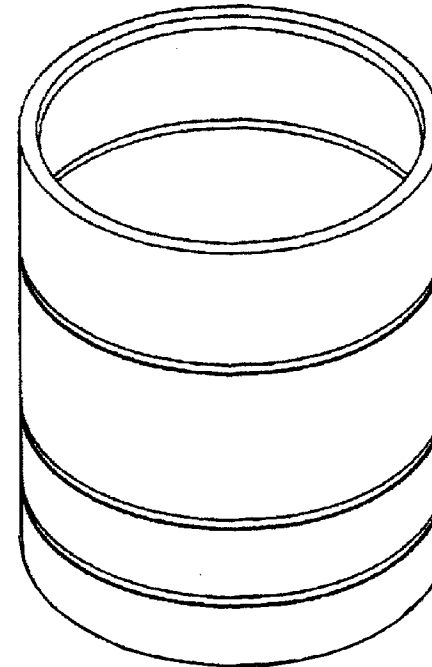
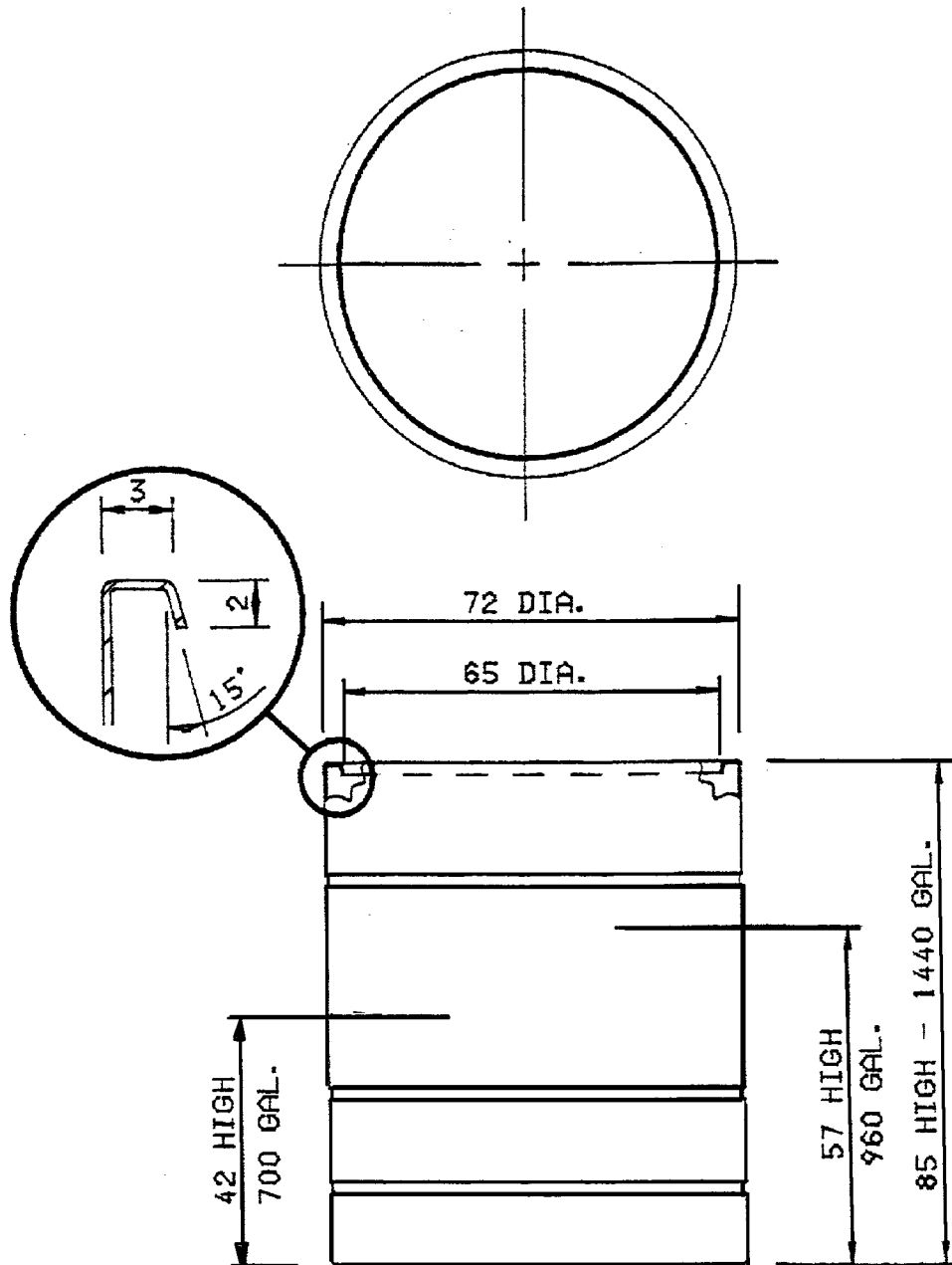


THIS DRAWING MAY NOT BE USED FOR ANY PURPOSE OTHER THAN BY THE OWNER. THE DRAWING & DESIGN ARE PROPERTY OF ROTONICS MANUFACTURING, INC. ALL DIMENSIONS SHOWN ARE OUTSIDE PART DIMENSIONS IN INCHES, AND MAY VARY DUE TO MATERIAL SHRINKAGE. SPECIFICATIONS ARE SUBJECT TO CHANGE WITHOUT NOTICE. GALLONS AND WEIGHTS ARE APPROXIMATE ONLY.



700 gal. - #6560
 960 gal. - #6563
 1440 gal. - #6568

RMI-D
 6770 Brighton Blvd.
 Commerce City, CO 80022
 Phone: 303-227-9300
 Fax: 303-227-9308

RMI-G
 17038 S. Figueroa St.
 Gardena, CA 90248
 Phone: 310-327-5401
 Fax: 310-323-9567

ROTONICS MFG. INC.			
72" DIA. CONTAINMENT BASIN 700, 960 & 1440 GAL.			
DRAWN BY: Dpham	DESIGN BY:	DATE: 07-27-95	SCALE: 1 = 32
			DWG. No. S-1202