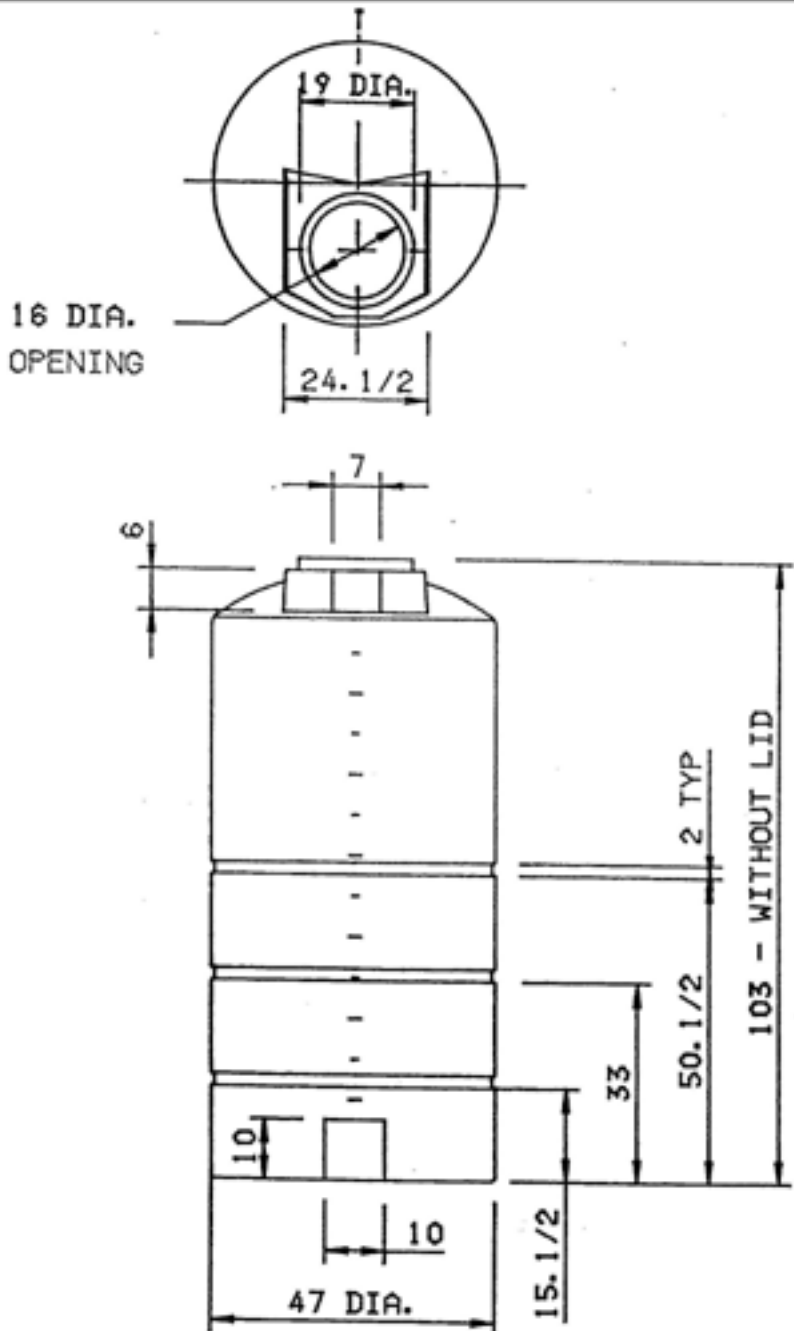
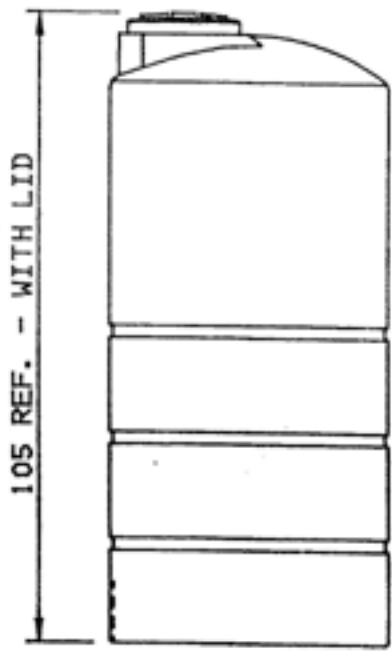
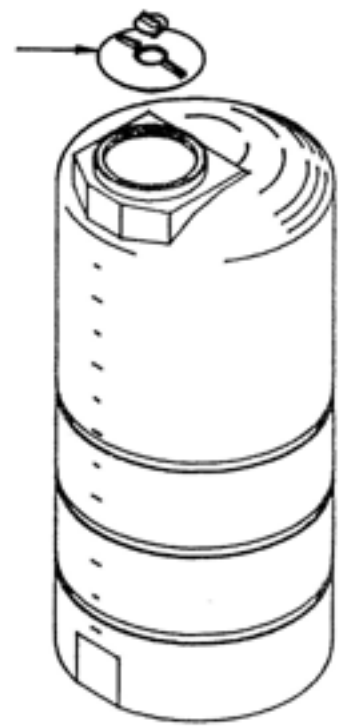


THIS DRAWING MAY NOT BE USED FOR ANY PURPOSE OTHER THAN BY THE OWNER. THE DRAWING & DESIGN ARE PROPERTY OF ROTONICS MANUFACTURING, INC. ALL DIMENSIONS SHOWN ARE OUTSIDE PART DIMENSIONS IN INCHES, AND MAY VARY DUE TO MATERIAL SHRINKAGE. SPECIFICATIONS ARE SUBJECT TO CHANGE WITHOUT NOTICE. GALLONS AND WEIGHTS ARE APPROXIMATE ONLY.



15" THREADED LID



ROTONICS MFG. INC. 17038 SOUTH FIGUEROA ST.
 GARDENA, CA. 90248
 (310) 327- 5401

710 GAL - 47" DIA. VERT. TANK

DRAWN BY: Dpham	DESIGN BY:	DATE: 04-07-95	SCALE: 1 = 32	DWG. NO. S-1179
--------------------	------------	-------------------	------------------	--------------------