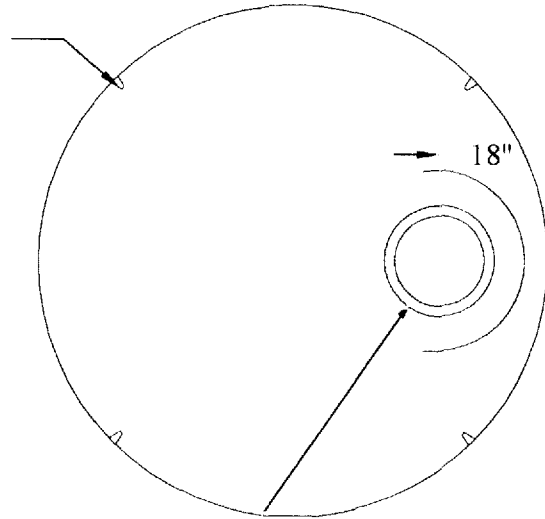
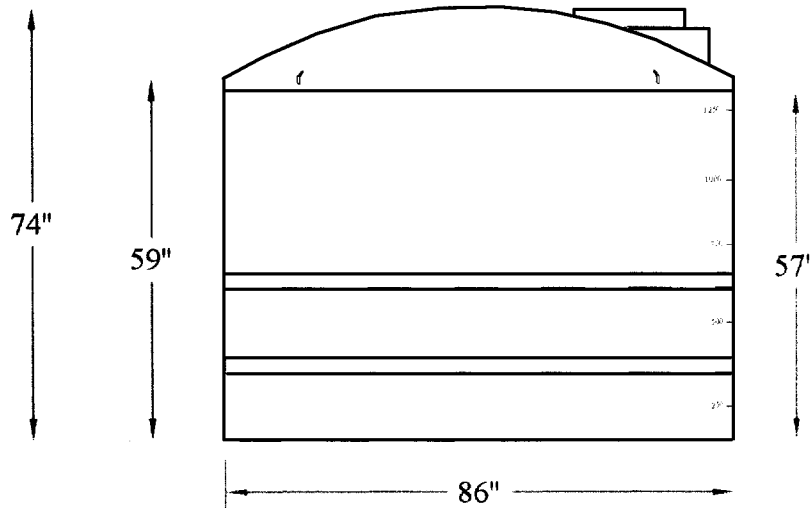
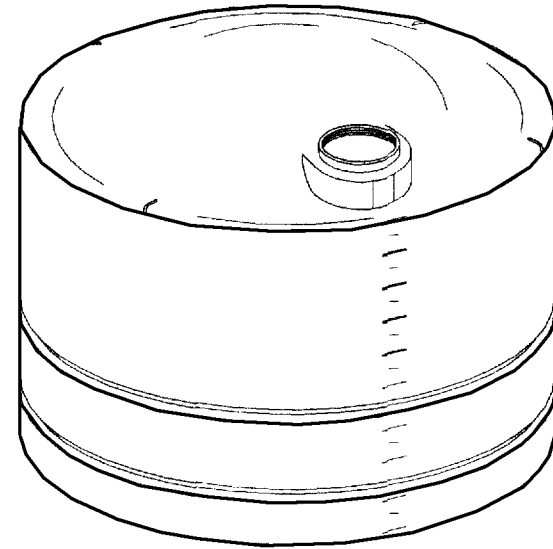


THIS DRAWING MAY NOT BE USED FOR ANY PURPOSE OTHER THAN BY THE OWNER. THE DRAWING & DESIGN ARE PROPERTY OF ROTONICS MANUFACTURING, INC. ALL DIMENSIONS SHOWN ARE OUTSIDE PART DIMENSIONS IN INCHES, AND MAY VARY DUE TO MATERIAL SHRINKAGE. SPECIFICATIONS ARE SUBJECT TO CHANGE WITHOUT NOTICE. GALLONS AND WEIGHTS ARE APPROXIMATE ONLY.

ROPE TIE-DOWN
(TYPICAL-4 PLACES)



15" THREADED LID



NOTES:

1. MATL: LLDPE
2. ALL DIMENSIONS AFTER FORMING

Rotonics Mfg. - Florida

230 Bartow Municipal Airport
Bartow, FL 33830
Phone: (863) 534-1766
Fax: (863) 533-0629

SCALE: 1/32

APPROVED BY:

M. NEGRON

DATE: 05/04/00

SHEET 1 OF 1

#6374

1650 GAL TANK

DRAWING NUMBER