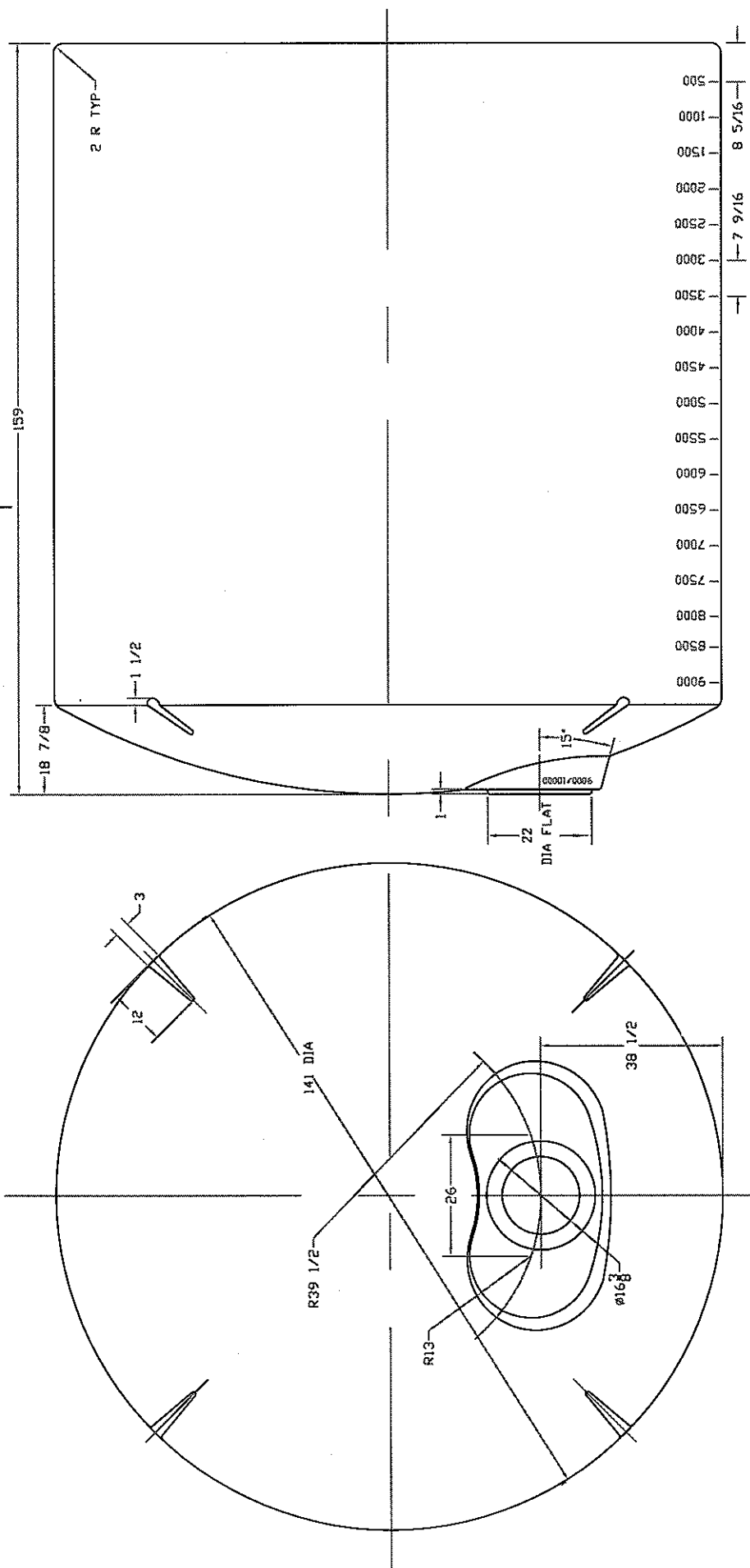


ZONE	REV	DESCRIPTION	DATE	APPROVED



NORWESCO		ST. BONIFACIUS, MN	
10000 GALLON VERTICAL		TANK HANFORD CA MOLD	
JTP	23FEB01	SIZE B	FSCM NO. _____
		SCALE 1/24	DWG NO. _____
			REV _____
			SHEET _____